

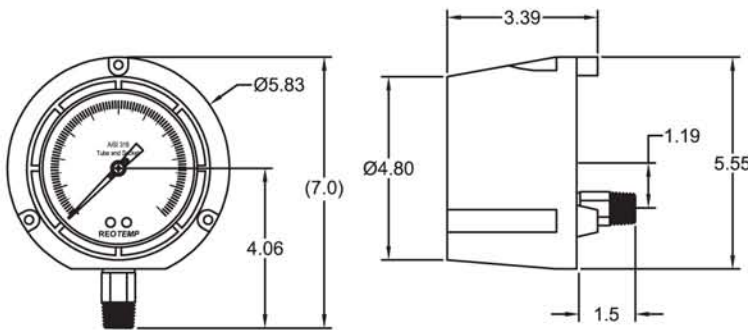
4.5" Industrial Process Gauge

REOTEMP's Series PT Process Gauge is designed to withstand corrosive atmospheres and media, pulsation and vibration; a very rugged gauge engineered for the process industries. The solid front/blowout back provides a high degree of user safety.



Features/Benefits:

- Solid Front/Blowout Back
- All Stainless Steel Internal Parts
- Adjustable Pointer
- Glycerine Filled or Dry/Fillable
- Repairable





Specifications:

- Case:** "Phenolic" (Fiberglass Reinforced Thermoplastic) or Stainless Steel Solid Front, Blowout Back
- Ring:** Fiberglass Reinforced Thermoplastic Screwed Ring, Removable
- Lens:** Tempered Safety Glass (others available)
- Dial:** Aluminum, Black Figures on White Background
- Pointer:** Adjustable, Aluminum, Black
- Wetted Parts:** 316SS Socket/316L Tube
- Temperature:** Ambient: 0 to 150°F (Glycerine Filled)
Process: -30 to 400°F (Dry)
- Accuracy:** 0.5% Full Scale, Grade 2A

HOW TO ORDER

PT — **45** **P** **1** **A** **2** **P23** **G**

Dial: 45 = 4.5"	Case: P = Fiberglass Reinforced Thermoplastic S* = Stainless St. *See factory for drawing.	Tube & Socket: 1 = 316SS 3 = Monel	Mounting: A =  Bottom C =  Lower Back	Connection: 2 = 1/2" NPT 4 = 1/4" NPT	Range Code: <i>See Page 12 of Press. Product Catalog for Range Codes</i> Vac. to 20,000 PSI	Filling: - - = Dry G = Glycerine Other fills on request.	Options: <ul style="list-style-type: none"> ■ Hi-Vis Dial ■ Diaphragm Seal ■ Custom Ranges ■ Plastic Lens
---------------------------	--	---	--	--	--	--	--

Distributed by:



PTC[®]Instruments
 2301 Federal Avenue Los Angeles, CA 90064
 Tel: 310.478.1134 Fax: 310.312.0826
 e-mail: sales@ptc1.com website: ptc1.com