



Model 320 Spring-Loaded Test Stand for  
ASTM Type A, B, C, D, DO, & O Durometers  
(durometer not included with stand)

## Model 320 Specifications

Maximum sample height.....	5 in. (12.7 cm)
Height .....	17 in. (43 cm)
Weight .....	7 lb. (3.2 kg)
Shipping weight .....	14 lb. (6.4 kg)

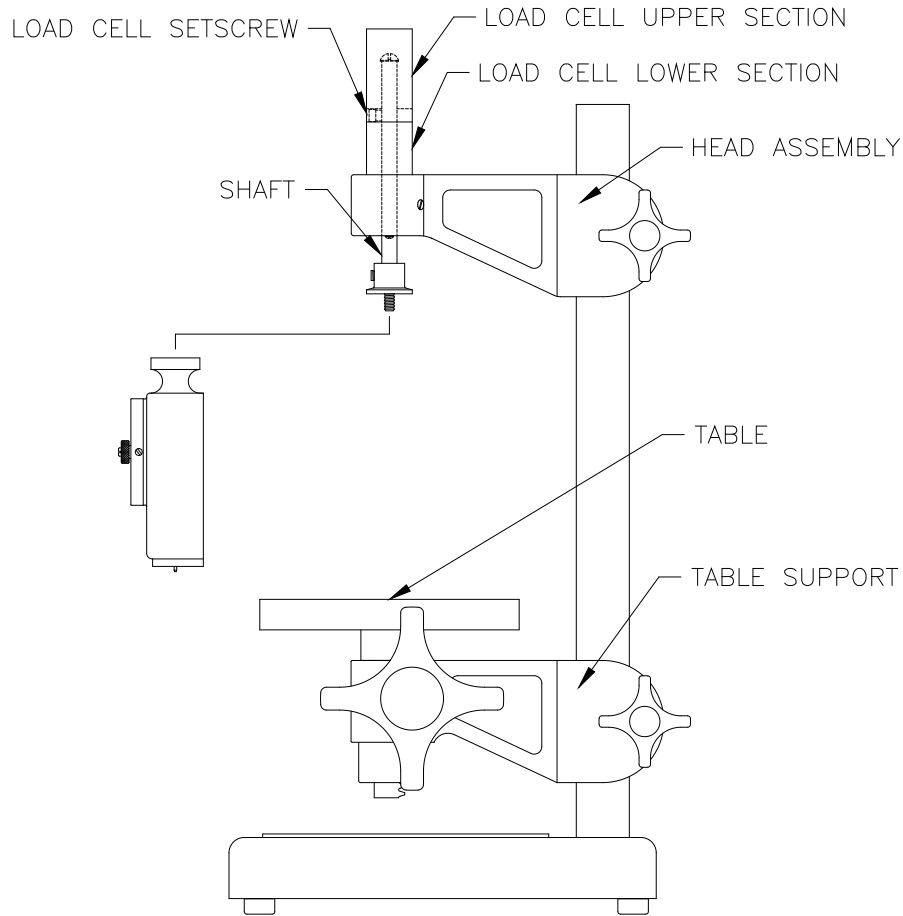
- ***Provides Correct Load for ASTM Types A, B, C, D, DO, & O***
- ***Increases Repeatability & Reduces User Error***
- ***Simplifies Hardness Testing***
- ***Holds PTC® Classic & Ergo Style Durometers and Others with 8-32 Female Threads***

Precision engineered durometer stand has a calibrated load cell to provide the ASTM recommended force for Types A, B, C, D, DO, & O. When properly used, this stand and your durometer will make highly accurate hardness readings. For the highest level of accuracy, use of PTC's ConstaLoader™ Stand is advised.

The table is self-aligning to allow testing of materials with nonparallel top and bottom surfaces.

The stand will test materials up to 5" thick. Custom stands are available for larger samples.

# 320 SET-UP INSTRUCTIONS



BEFORE USING THIS STAND WITH YOUR DUROMETER, IT IS IMPORTANT THAT YOU FOLLOW THESE STEPS IN SETTING UP THIS TEST STAND.

After carefully unpacking the unit, place stand upright on desk or bench.

Mount Type A, B, C, D, DO, or O durometer to the 8-32 setscrew at the bottom of the shaft.

Adjust the head and/or table support so that the durometer is located directly along the centerline of the table. Please note that this alignment is critical.

Place the sample to be measured squarely on the movable stage.

Set and lock the stand so that the durometer foot is about 1/4 inch above the sample. Either the table support or head (upper) assembly can be moved up or down as needed, a hex key is enclosed.

For durometer types A, B, or O: Lift and turn the upper part of the load cell so that the setscrew on the shaft fits into the slot at the imprinted "A"

For durometer types C, D, or DO: Follow above, but place setscrew into slot marked "D".

The stand is now set up and ready to make hardness measurements. When making a measurement, turn knob and lift stage so that sample contacts the durometer base and the load cell just separates. See durometer instructions for additional information on testing.

TOLL FREE: 877-782-2329  
OUTSIDE U.S.: 310-478-1134  
LOS ANGELES, CA 90064-1482

WEB: [HTTP://WWW.PTC1.COM](http://www.ptc1.com)  
E-MAIL: [SALES@PTC1.COM](mailto:SALES@PTC1.COM)  
FAX: 310-312-0826

